

Cim 301G

FULL BORE BALL VALVE FOR GAS - EN 331 - T10G SERIES - ALUMINIUM BUTTERFLY HANDLE



Manufactured according to management requirements of EN ISO 9001 standard.
 100% tested in accordance with EN 12266-1 standard.
 Suitable for gas at low pressure, in detail:
 Natural gas: gas by-product of oil (methane);
 Town gas: manufactured through different processes (cracking - cokerie - etc.)
 Liquid gas: propane and mixture of propane/butane gas.

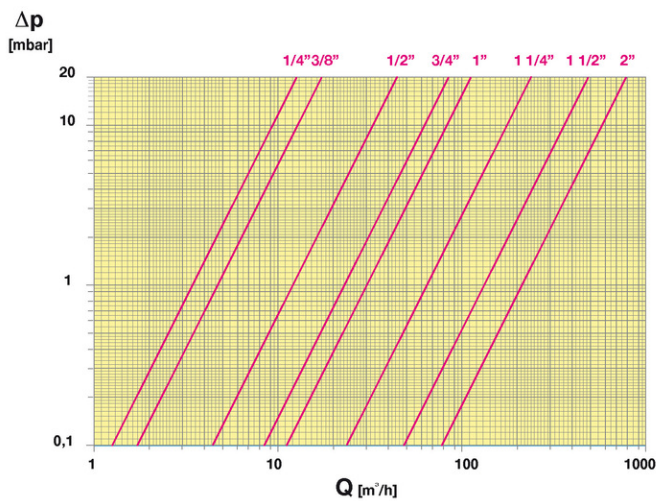
It is guaranteed for 5 years

It is made of a brass alloy that complies with standard EN 12165-CW617N-M.

Nominal Pressure: MOP5

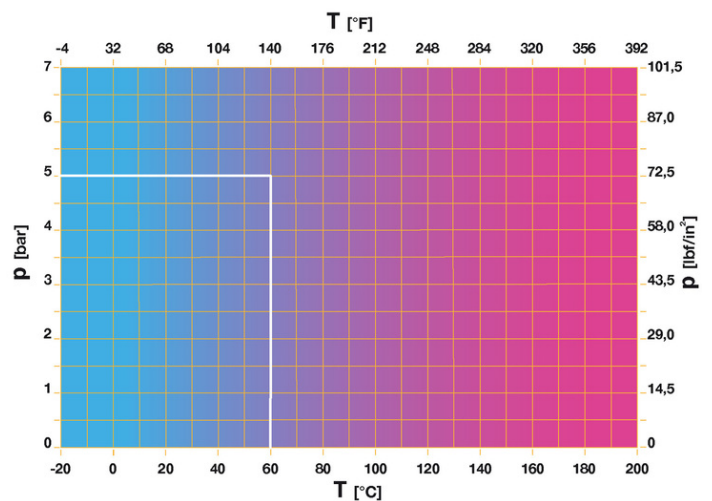
Operating temperature: $-20 \div 60^{\circ}\text{C}$

FLOW AND PRESSURE DROP



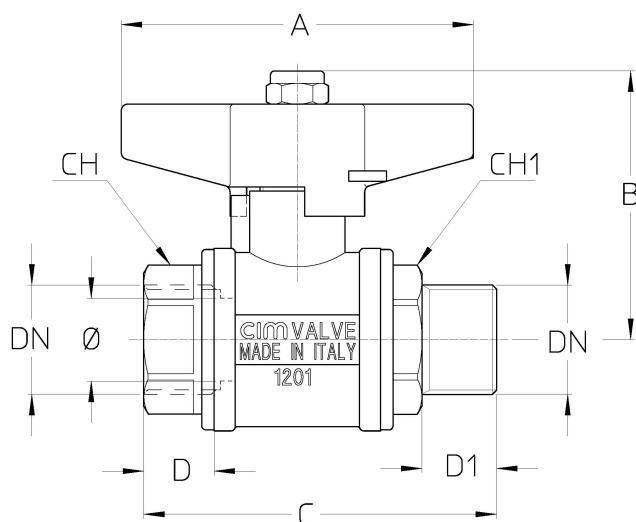
Notes:
 1 psi = 68,95 mbar
 1 mbar = 0,0145 psi

PRESSURE TEMPERATURE RATINGS



Notes:
 1 bar = 14,5 psi
 1 bar = 14,5 lbf/in²
 $^{\circ}\text{C} = 5/9 \times (^{\circ}\text{F} - 32)$
 $^{\circ}\text{F} = 32 + (9/5 \times ^{\circ}\text{C})$

TECHNICAL DRAWING



DN	1/4"	3/8"	1/2"	3/4"	1"	1 1/4"	1 1/2"	2"
Φ mm	10	10	15	20	25	32	40	50
Grms.	185	195	345	630	835	1400	1780	2925
A	70	70	70	85	85	100	100	100
B	50	50	54	66	70	84	89	96
C	55,5	57	72	85	96	111,5	119,5	144
D	12,5	13,5	17	18,5	22	24	23	28,5
D1	12,5	12,5	15,5	18	20,5	23,5	25	28
CH	19	22	27	32	41	49	55	70
CH1	22	22	24	32	41	46	57	65

Female thread:

ISO 7 - Rp

Male thread:

ISO 228

TECHNICAL CHARACTERISTICS

KV CM CS MT								
DN	1/4"	3/8"	1/2"	3/4"	1"	1 1/4"	1 1/2"	2"
Ø mm	10	10	15	20	25	32	40	50
KV	3,5	4,8	12	23	30	65	131	214
CM	1	1	3	4	5	8	10	13
CS	2	2	6	10	12	17	22	26
MT	10	10	20	45	45	92	93	93

KV = Capacity in m³/h at pressure drop of 1 mbar and inlet pressure of 25 mbar.

CM = Operating torque in Nm.

CS = Starting torque in Nm.

MT = Stem breaking torque in Nm.

OUR CERTIFICATIONS

