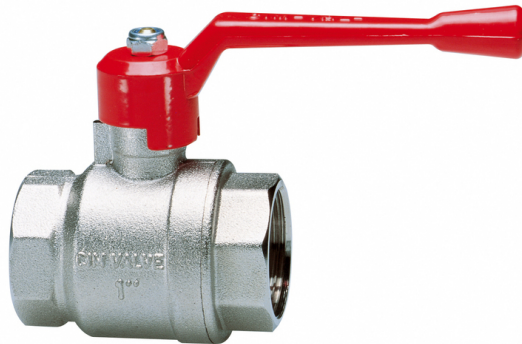


Cim 14

FULL BORE BALL VALVE - T14 SERIES - ALUMINIUM LEVER HANDLE



This article was made in compliance with the quality management requirements of ISO 9001 standard. All articles are tested according to the EN 12266-1 standard.

It can be used in a wide variety of sectors: heating, air conditioning, water, sanitary systems, pneumatic systems, oil pipelines, gasoline networks, saturated steam and generally with any non corrosive liquid.

It is guaranteed for 5 years.

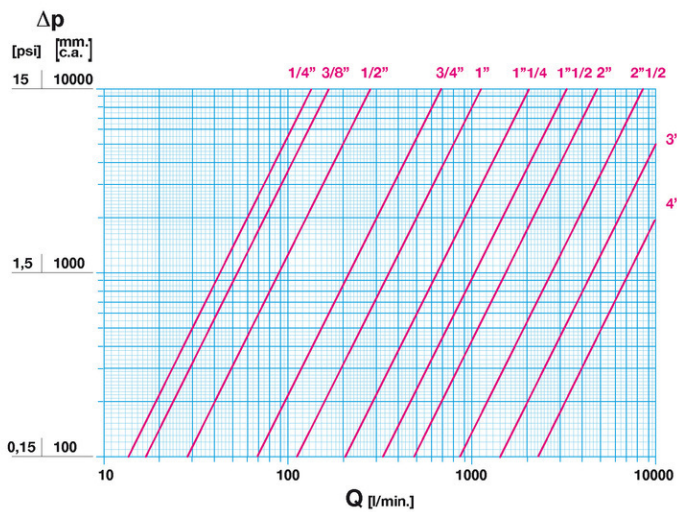
It is made of a brass alloy that complies with standard EN 12165-CW617N-M.

Nominal Pressure:

PN 80 (1/4" ÷ 3/8"); PN 60 (1/2"); PN 45 (3/4" ÷ 1"); PN 35 (1"1/4); PN 32 (1"1/2); PN 30 (2"); PN16 (2"1/2 ÷ 4")

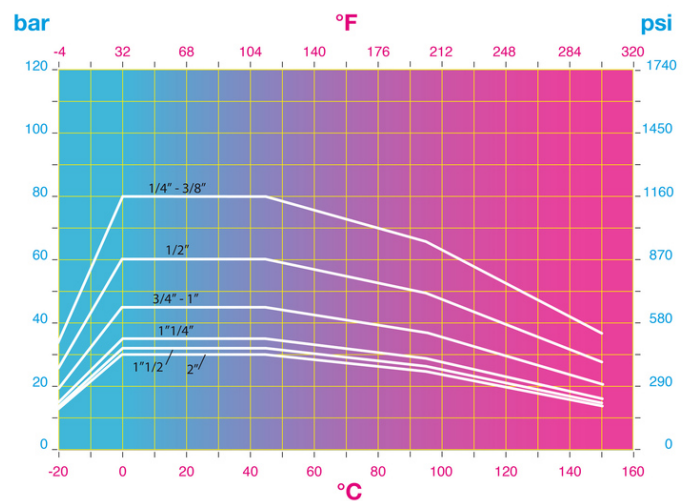
Operating temperature: -20 ÷ 150°C

FLOW AND PRESSURE DROP



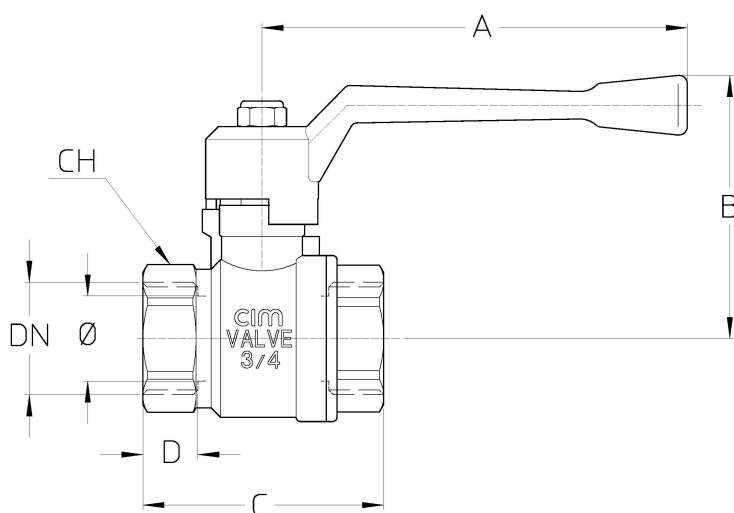
Notes:
 1 l/min = 0,06 m³/h
 1 m³/h = 16,67 l/min
 1 bar = 10.000 mm w.c.
 1 psi = 690 mm w.c.

PRESSURE TEMPERATURE RATINGS



Notes:
 1 bar = 14,5 psi
 1 bar = 14,5 lbf/in²
 °C = 5/9 x (°F-32)
 °F = 32 + (9/5 x °C)

TECHNICAL DRAWING



| DN | 1/4" | 3/8" | 1/2" | 3/4" | 1" | 1"1/4 | 1"1/2 | 2" | 2"1/2 | 3" | 4" |
|--------------|------------|------------|------------|------------|------------|------------|-------------|-------------|-------------|-------------|-------------|
| Ø mm | 10 | 10 | 15 | 20 | 25 | 32 | 40 | 50 | 60 | 72 | 94 |
| Grms. | 115 | 120 | 200 | 320 | 480 | 785 | 1165 | 1660 | 3100 | 4250 | 7100 |
| A | 65 | 65 | 80 | 100 | 100 | 120 | 150 | 150 | 240 | 240 | 240 |
| B | 33 | 33 | 57 | 62 | 66 | 79 | 100 | 107 | 137,5 | 146,5 | 161,5 |
| C | 45 | 47 | 52 | 57 | 68 | 81 | 95,5 | 112 | 133 | 150 | 177 |
| D | 11,5 | 12,5 | 12,5 | 12,5 | 14 | 17,5 | 18 | 20 | 23 | 25 | 29 |
| CH | 18 | 20 | 25 | 31 | 38 | 47 | 54 | 66 | 82 | 96 | 123 |

Thread:
ISO 228

Upon request:
ANSI B.1.20.1 - NPT

TECHNICAL CHARACTERISTICS

| KV CM CS MT | | | | | | | | | | | |
|-------------|------|------|------|------|----|-------|-------|-----|-------|-----|------|
| DN | 1/4" | 3/8" | 1/2" | 3/4" | 1" | 1"1/4 | 1"1/2 | 2" | 2"1/2 | 3" | 4" |
| Ø mm | 10 | 10 | 15 | 20 | 25 | 32 | 40 | 50 | 60 | 72 | 94 |
| KV | 8 | 10 | 17 | 41 | 68 | 123 | 198 | 290 | 460 | 748 | 1225 |
| CM | 1 | 1 | 3 | 5 | 6 | 7 | 10 | 13 | 15 | 19 | 29 |
| CM | 2 | 2 | 6 | 10 | 12 | 14 | 20 | 26 | 30 | 38 | 58 |
| MT | 10 | 10 | 10 | 24 | 24 | 45 | 90 | 90 | 280 | 280 | 550 |

KV = Capacity in m³/h at pressure drop of 1 bar.

CM = Operating torque in Nm.

CS = Starting torque in Nm.

MT = Stem breaking torque in Nm.

OUR CERTIFICATIONS

