

## Cim 34/1

### ANTIFROST BALL BIB COCK WITH HOSE UNION - ALUMINIUM LEVER HANDLE



This article was made in compliance with the quality management requirements of ISO 9001 standard. All articles are tested according to the EN 12266-1 standard.

It can be used in water systems, for industrial and agricultural applications and generally with any non corrosive liquid.

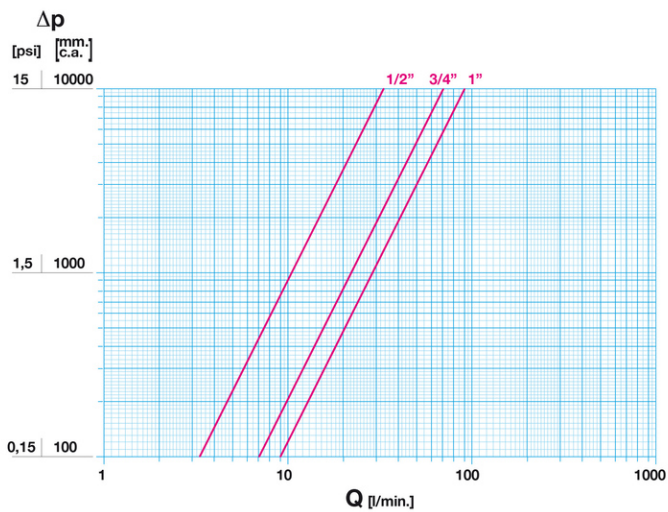
It is guaranteed for 5 years.

It is made of a brass alloy that complies with standard EN 12165-CW617N-M.

Nominal Pressure: PN 16

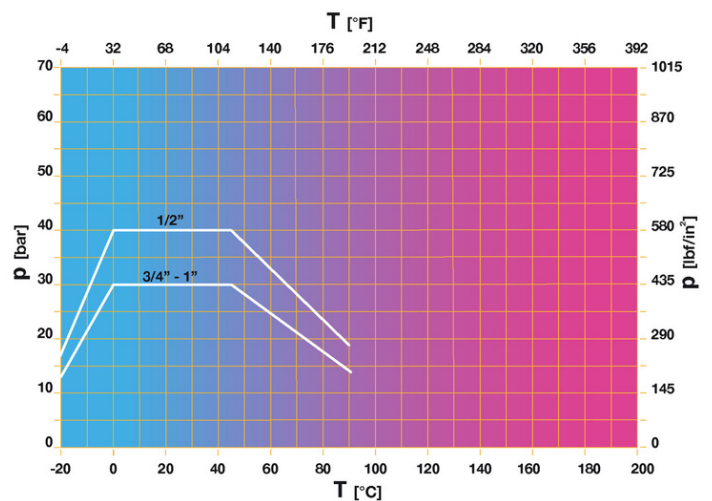
Operating temperature: -15 to 90°C

### FLOW AND PRESSURE DROP



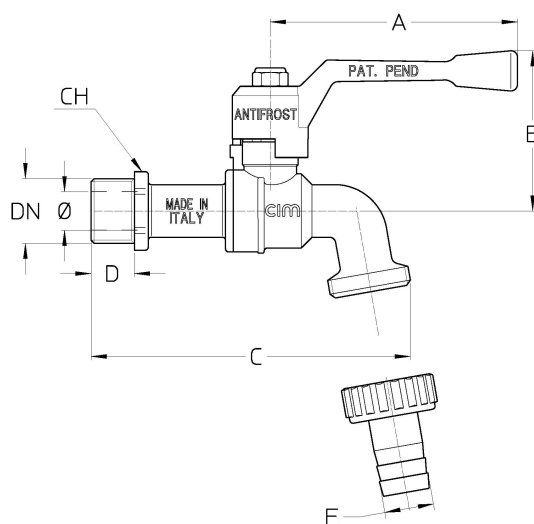
Notes:  
 1 l/min = 0,06 m3/h  
 1 m3/h = 16,67 l/min  
 1 bar = 10.000 mm w.c.  
 1 psi = 690 mm w.c.

### PRESSURE TEMPERATURE RATINGS



Notes:  
 1 bar = 14,5 psi  
 1 bar = 14,5 lbf/in2  
 $^{\circ}\text{C} = 5/9 \times (^{\circ}\text{F} - 32)$   
 $^{\circ}\text{F} = 32 + (9/5 \times ^{\circ}\text{C})$

## TECHNICAL DRAWING



DN	1/2"	3/4"	1"
Ø mm	10	12	15
<b>Grms.</b>	<b>265</b>	<b>340</b>	<b>540</b>
A	80	80	100
B	52	53	55,5
C	106	115	131
D	14	16	15
E	16	22	28
CH	23	29	36

Thread:  
ISO 228

Upon request:  
ANSI B.1.20.1 - NPT

## TECHNICAL CHARACTERISTICS

KV CM CS MT			
DN	1/2"	3/4"	1"
Ø mm	10	12	15
KV	2	4,3	5.4
CM	1	1	3
CS	2	2	6
MT	10	10	10

KV = Capacity in m<sup>3</sup>/h at pressure drop of 1 bar.

CM = Operating torque in Nm.

CS = Starting torque in Nm.

MT = Stem breaking torque in Nm.

## OUR CERTIFICATIONS

