

Cim 34SI

BALL BIB COCK WITH LOCKABLE HANDLE



This article was made in compliance with the quality management requirements of ISO 9001 standard. All articles are tested according to the EN 12266-1 standard.

It can be used in water systems, for industrial and agricultural applications and generally with any non corrosive liquid.

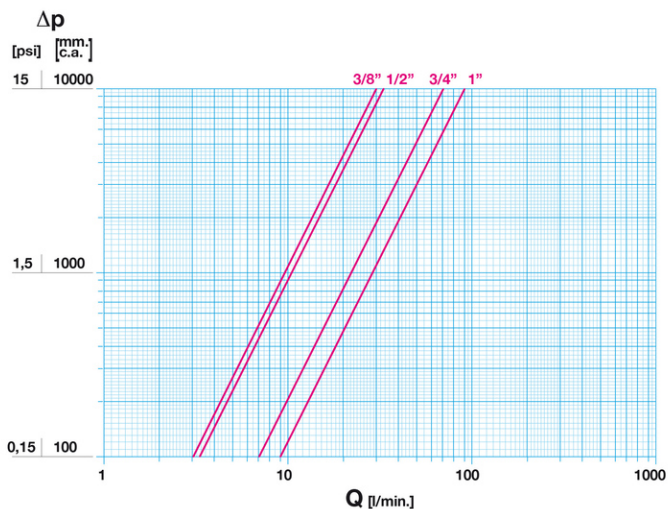
It is guaranteed for 5 years.

It is made of a brass alloy that complies with standard EN 12165-CW617N-M.

Nominal Pressure: PN 16

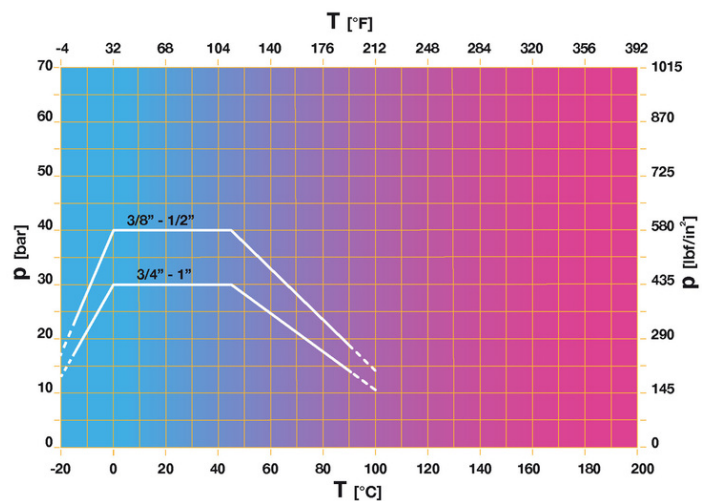
Operating temperature: -15 to 90°C

FLOW AND PRESSURE DROP



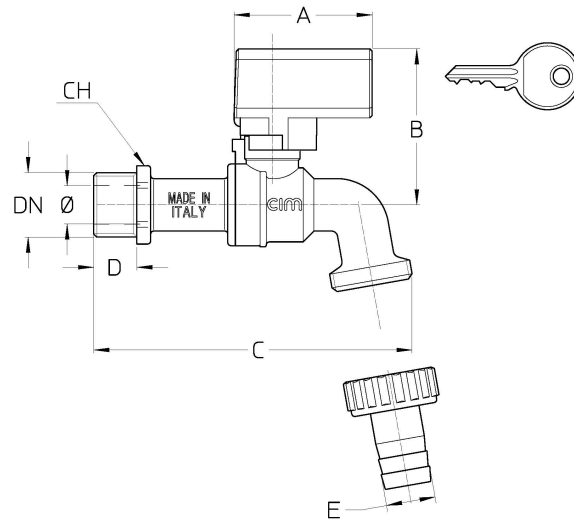
Notes:
 1 l/min = 0,06 m³/h
 1 m³/h = 16,67 l/min
 1 bar = 10.000 mm w.c.
 1 psi = 690 mm w.c.

PRESSURE TEMPERATURE RATINGS



Notes:
 1 bar = 14,5 psi
 1 bar = 14,5 lbf/in²
 $^{\circ}\text{C} = 5/9 \times (^{\circ}\text{F} - 32)$
 $^{\circ}\text{F} = 32 + (9/5 \times ^{\circ}\text{C})$

TECHNICAL DRAWING



DN	3/8"	1/2"	3/4"	1"
Φ mm	10	10	12	15
Grms.	440	440	520	770
A	56	56	56	55
B	52	58	59	61,5
C	98	106	115	131
D	9	14	16	15
E	14	16	22	28
CH	21	23	29	36

Thread:
ISO 228

Upon request:
ANSI B.1.20.1 - NPT

TECHNICAL CHARACTERISTICS

KV CM CS MT				
DN	3/8"	1/2"	3/4"	1"
Ø mm	10	10	12	15
KV	1,8	2	4,3	5.4
CM	1	1	1	3
CS	2	2	2	6
MT	10	10	10	10

KV = Capacity in m³/h at pressure drop of 1 bar.

CM = Operating torque in Nm.

CS = Starting torque in Nm.

MT = Stem breaking torque in Nm.

OUR CERTIFICATIONS

